

Customer Name:

Application Number:

Project:

Material:

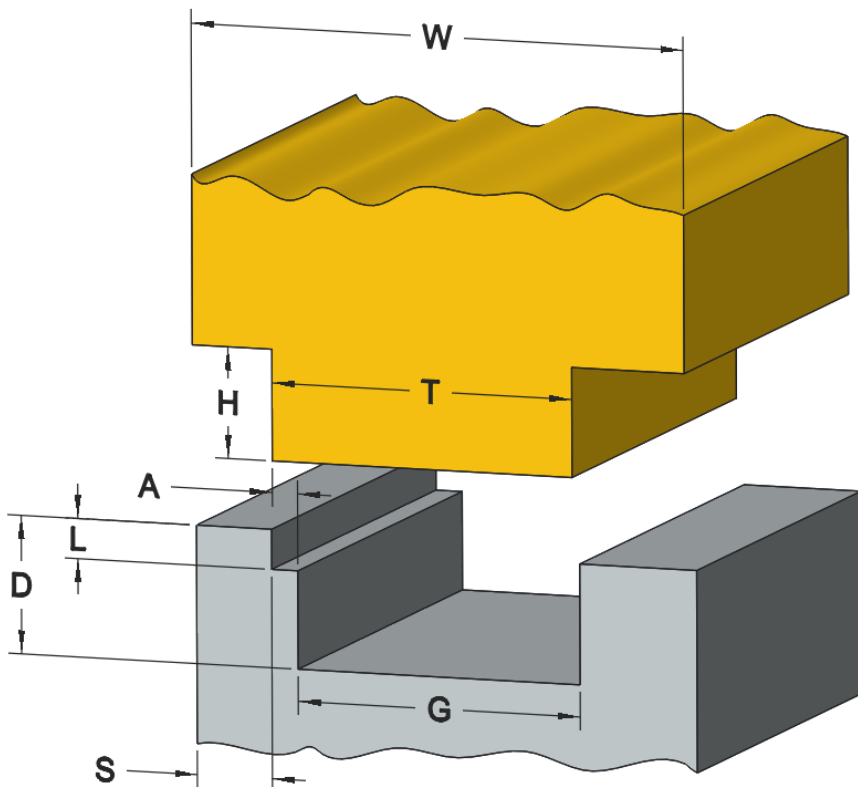
Prepared By:

Date:

Revision:

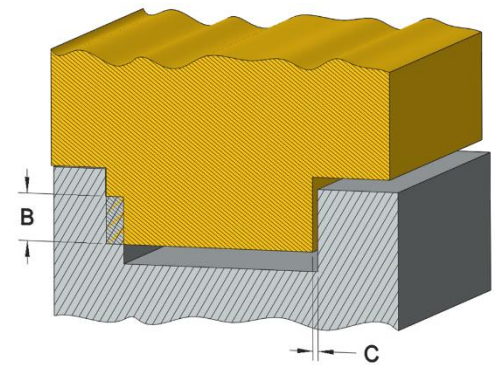
Email:

	Dimension	General Guidelines	Recommended Size
W	Wall Thickness	Minimum 0.150" (3.81mm)	
B	Shear Length	0.020" – 0.080" (0.51mm - 2.03mm)	
A	Shear Width	0.016" – 0.030" (0.41mm - 0.76mm)	
T	Tongue Width	Minimum B and/or W/3	
H	Tongue Height	L + B	
L	Lead-In Depth	Minimum 0.050" (1.27mm)	
G	Groove Width	(T – A) + C	
D	Groove Depth	H + 0.015" (0.38mm)	
S	Groove Side Wall Width	Minimum 0.040" (1.02mm)	
C	Clearance	0.005" per side (0.13mm)	



This tongue and groove with shear joint offers very good mechanical strength and a leak-tight seal.

This joint can provide good melt control with a low likelihood of flash, especially on the side of the wall opposite the shear joint.



Collapsed