

# VWB4300 Vibration Welder

Table Size 24" (610mm)  
by 18" (455mm)



### FEATURES

- Electromechanical vibration head assembly (200-240 Hz)
- Super rigid structural steel frame
- One piece flame cut bridge (heaviest in class)
- Super rigid twin rail block type lift bearings
- Solid state 25hp digital variable frequency drive
- Hydraulic lift / clamp force maximum 3000 lbs. (13,200N) 10 gallon or 38L reservoir
- Allen Bradley Compactlogix controller with add-on expansion available
- Allen-Bradley Panelview Plus 700 full color touch screen HMI, with adjustable position feature
- Intuitive and interactive comprehensive help menu
- Part parameter monitoring with programmable limits
- Language capabilities, English and Spanish
- Automatic tuning with auto ping mode
- Programmable amplitude 0.020" to 0.070" (.5 to 1.8mm)
- Weld by time or weld by distance (absolute or collapsed)
- Interior work light
- Optical zero force cycle start activation switches
- Light curtain for single switch activation
- Lean cell machine design
- Programmable amplitude and pressure profile, up to 5 steps

### SPECIFICATIONS

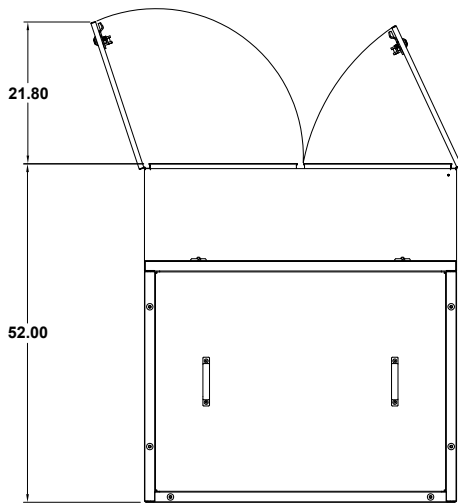
- Table and maximum lower tool size 24" x 18" (610 x 455mm)\*
- Door opening 26" high x 31" wide (660 x 790mm)
- Upper tool weight 20 – 55 lbs. (9-25 kg)
- Upper tool maximum size 20" x 14" (510mm x 355mm)
- Low 38" (965mm) lift table height
- 20" (500mm) stroke, 25" (630mm) max. opening, min. tool height 5.5" (140mm)
- Small 48" x 52" (1.2 x 1.4 m) machine foot print
- 80 dB maximum in operation (continuous measurement)

### Options

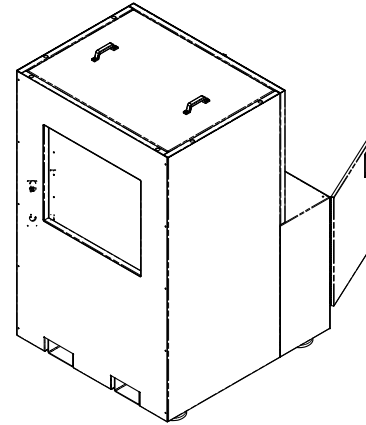
- Position adjustable cycle activation switches
- Exterior work light
- PLC options for Siemens or Mitsubishi available
- Custom paint specification
- Rear sliding door for pass through operation
- Programmable pneumatic valves for clamps and slides
- Programmable part-in-place sensing
- Custom quoted machines with non-standard: frame sizes, lift tables, stroke lengths, etc., using standard vibration heads available.

\*Tooling can in some instances overhang the back of table by modest amount. Consult Dukane for more information.

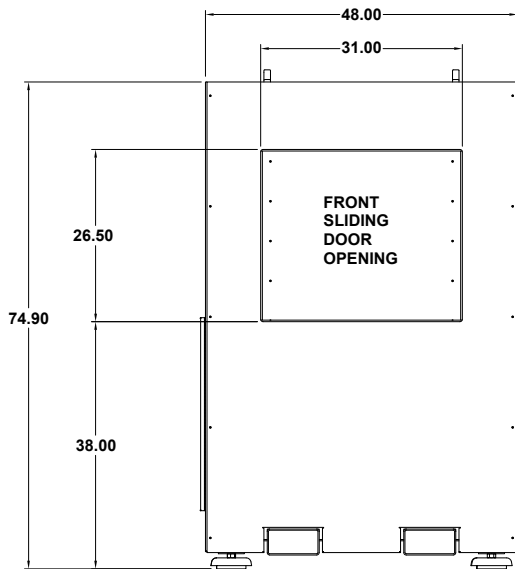
# VWB4300 Vibration Welder Dimensions



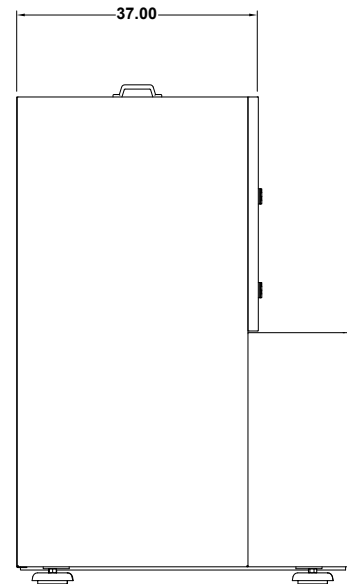
**Top**



**3/4 View**

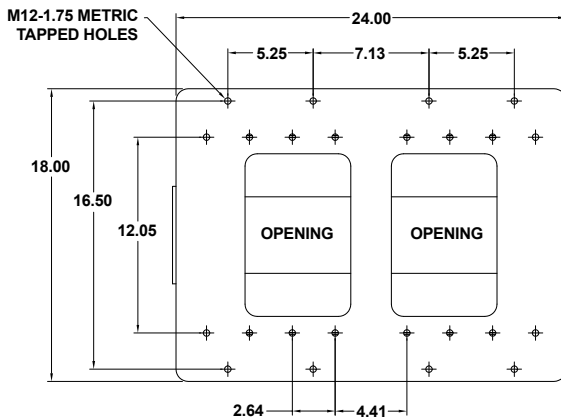


**Front**

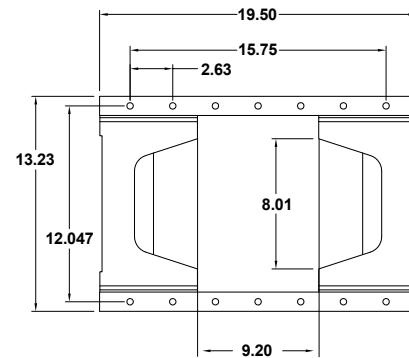


**Right Side**

## Fixture hole patterns and dimensions.



**LIFT TABLE HOLE PATTERN**



**UPPER TOOL BOLT PATTERN**

Electric Service Required: 480V, 3 Phase, 30 Amps (custom input voltage kits available)

Pneumatic Service Required: 75 to 90PSI (5-6 Bar)

Approximate Shipping Weight 4500 lbs, (2046 kg)

Note: All specifications are subject to change without notice. Please consult Dukane Ultrasonics for any updated information.



Vibe #09-0016-02