

MACHINE MOUNTED PROBES

15kHz–70 kHz



15 kHz



20 kHz Magnum™



20 kHz Standard



30 kHz Standard



40 kHz Standard



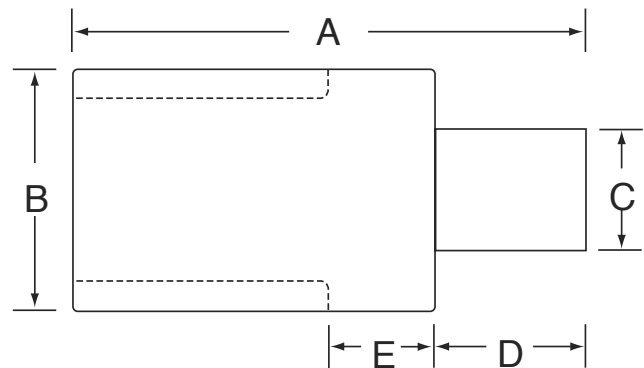
40 kHz Solid Mount



40 kHz Solid Mount
600 watt

All Dukane probes utilize the highest quality piezoceramics. They are tested and assembled using our exclusive patented manufacturing process to ensure durability and long term reliability.

Dukane's machine mountable probes are available in a variety of configurations and frequencies. Connectors can be side or rear mounted. Sealed wash-in-place units are designed for food and packaging environments. They are setup to use compressed air internal cooling making them ideal for use with hot liquids and for continuous duty slitting, stitching and sealing of fabric and films.



Frequency	A Dim.	B Dim.	C Dim.	D Dim.	E Dim.	Watts	Lbs/Kg					
15 kHz	8.24"	209.30 mm	4.10"	104.14 mm	2.00"	50.80 mm	3.05"	77.47 mm	1.34"	34.04 mm	4000	5.90 2.68
20 kHz	5.83"	148.08 mm	2.98"	75.69 mm	1.50"	38.10 mm	1.91"	48.51 mm	1.09"	27.69 mm	3000	2.80 1.27
20 kHz Sealed	6.00"	152.40 mm	2.98"	75.69 mm	1.50"	38.10 mm	1.88"	47.75 mm	1.09"	27.69 mm	3000	3.10 1.41
20 kHz Magnum	5.83"	148.08 mm	2.98"	75.69 mm	1.50"	38.10 mm	2.19"	55.63 mm	0.81"	20.57 mm	3000	2.50 1.13
30 kHz	5.21"	132.33 mm	2.00"	50.80 mm	1.00"	25.40 mm	1.21"	30.73 mm	—	—	1500	1.20 0.54
30 kHz Solid Mount	5.71"	145.03 mm	2.00"	50.80 mm	1.00"	25.40 mm	1.21"	30.73 mm	—	—	1500	1.40 0.64
40 kHz	4.28"	108.71 mm	2.00"	50.80 mm	1.00"	25.40 mm	0.78"	19.81 mm	—	—	1000	1.10 0.50
40 kHz	4.28"	108.71 mm	2.00"	50.80 mm	1.00"	25.40 mm	0.78"	19.81 mm	—	—	700	1.10 0.50
40 kHz Sealed	4.66"	118.36 mm	2.09"	53.09 mm	1.00"	25.40 mm	0.59"	14.99 mm	0.67"	17.02 mm	700	1.50 0.68
40 kHz Solid Mount	4.77"	121.16 mm	2.00"	50.80 mm	1.00"	25.40 mm	0.77"	19.56 mm	—	—	700	1.30 0.59
40 kHz Solid Mount	4.06"	103.12 mm	1.61"	40.89 mm	.87"	22.16 mm	1.02"	25.90 mm	—	—	600	.54 0.25
50 kHz	2.83"	71.88 mm	1.56"	39.62 mm	0.63"	16.00 mm	0.63"	16.00 mm	—	—	150	0.20 0.09
70 kHz	6.83"	173.48 mm	1.11"	28.19 mm	0.44"	11.18 mm	0.52"	13.21 mm	0.5"	12.70 mm	100	0.10 0.05

HAND-HELD PROBES 20kHz – 40 kHz



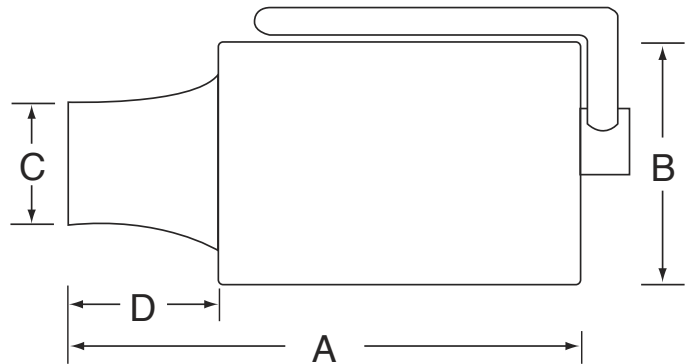
20 kHz Hand Held Probe



20 kHz Pistol Grip

Dukane hand-held probes are lightweight tools ideally suited for assemblies that are difficult to reach or too large to be assembled by a press system. Hand probes are also useful for short production runs of components requiring spot welding, staking and inserting. These portable systems offer the advantages of ultrasonic assembly for a low initial investment.

Dukane's hand probes have superior durability because of our exclusive patented assembly process. Use of rugged strain reliefs, switches and industrial connectors ensures reliable operation.



30 kHz Hand Held Probe



40 kHz Hand Held Probe



40 kHz Pistol Grip
600 Watt

Frequency	A Dim.		B Dim.		C Dim.		D Dim.		Std. Cable Lenth	Lbs/Kg
20 kHz	6.07"	154.18 mm	2.50"	63.50 mm	2.00"	50.80 mm	1.87"	47.50 mm	8ft./203.20mm	2.90 1.32
30 kHz	5.71"	145.03 mm	2.00"	50.80 mm	1.00"	25.40 mm	1.21"	30.73 mm	8ft./203.20mm	1.30 0.59
40 kHz	5.28"	134.11 mm	2.00"	50.80 mm	1.00"	25.40 mm	0.78"	19.81 mm	8ft./203.20mm	1.20 0.54