

30/40 kHz **Model 340** PRESS/THRUSTER



FEATURES

- **Low Mass High precision** transducer slide assembly
- **Narrow 4.5" (114mm) profile** for close center-to-center distances in multihead and automation installations
- **Rugged construction** using the highest quality components provides superior performance, precision, and reliability
- **Single-rail linear ball slide assembly system** offers accurate positioning, stable movement, and friction-free resistance
- **Dual pressure** increases clamp force to improve melt during the weld cycle, or to provide tighter assembly during the hold cycle
- **Optional hydraulic slow speed** option available for precise, repeatable control of horn travel during the weld cycle
- **7" (178mm) stroke with mechanical bottom stop** adjustable in .001" (.025mm) increments
- **Top-of-stroke limit switch** for automation applications
- **All controls are accessible from the front** for convenient set-up and operation
- **Easy to use front panel position indicators** with universal icons instantly show settings of position, bottom stop, and optional slow speed
- **Chrome-plated column and titanium booster** are standard
- **Internally mounted optional linear encoder** saves space in multihead and automated installations
- **Remote pneumatics availability** offers increased flexibility in system integration
- **OSHA-required lockout for air supply** is standard
- **Ergonomic base and cycle activation switches** reduce operator fatigue
- **Status indicators in base** for Power, In Cycle, and Abort clearly communicate system conditions
- **Twist release emergency stop switch** meets international safety standards
- **Press/thruster design provides system flexibility and upgradeability**, reducing equipment investment
- **Compatible with all current Dukane assembly system components**
- **Press/thruster can be used with 30kHz and 40 kHz Dynamic Process Controllers™** in 350, 700, and 1500 watt power levels

SPECIFICATIONS

Options

HYDRAULIC SPEED CONTROL precision hydraulic control of the melt velocity. Critical to achieve maximum weld strength in staking, inserting and shear joint applications.

LINEAR OPTICAL ENCODER Ability to weld by collapse and absolute distance through out 7 inches of stroke with .0005 of an inch resolution. (requires DPC III or IV *Plus w/* distance module)

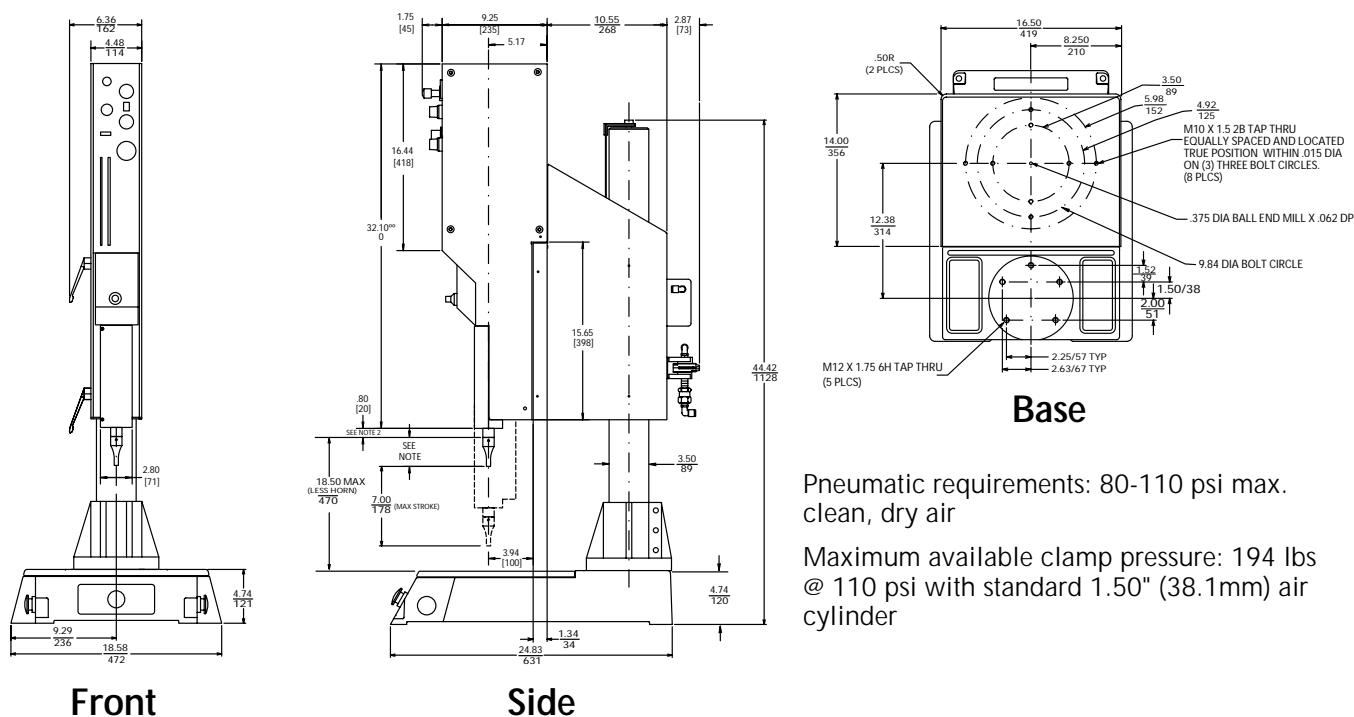
PRE-TRIGGER and END-of-WELD LIMIT SWITCHES Pre-trigger provides ability to initiate weld (sonics on) phase of the cycle prior to contacting part. Great for staking applications. End of weld provides ability to weld to predetermined position in the stroke, simple absolute distance.

4' (1219mm) chrome column increases part load area height by 12 inches

2.00" (51mm), or 3.00" (76mm) air cylinder ability to deliver greater force for larger part geometry

PROGRAMMABLE pressure profiling and force by interface with **electronic pressure regulator, pressure transducer, and load cell press options** offer increased control, repeatability, and consistency

OPTICAL cycle activation switches



Pneumatic requirements: 80-110 psi max.
clean, dry air

Maximum available clamp pressure: 194 lbs
@ 110 psi with standard 1.50" (38.1mm) air
cylinder

Thruster Dimensions

Housing height:	32.10" (815mm)
Housing width:	4.48" (114mm)
Housing depth:	11.00" (280mm) at greatest point
Weight:	40.00 lbs (18 Kg)

Press Dimensions

Base width:	18.58" (472mm)
Base depth:	24.83" (631mm)
Column height:	39.68" (1008mm)
Column diameter:	3.50" (89mm)
Maximum height:	57.00" (1450mm)
Housing width:	4.48" (114mm)
Column C.L. to Horn C.L.:	12.38" (314mm)
Useable throat:	8.50" (216mm)
Stroke:	7.00" (178mm)
Weight:	165.00 lbs (75Kg)