

Dynamic Process Controller™ (DPC)

INTEGRATED PROCESS CONTROL SYSTEM



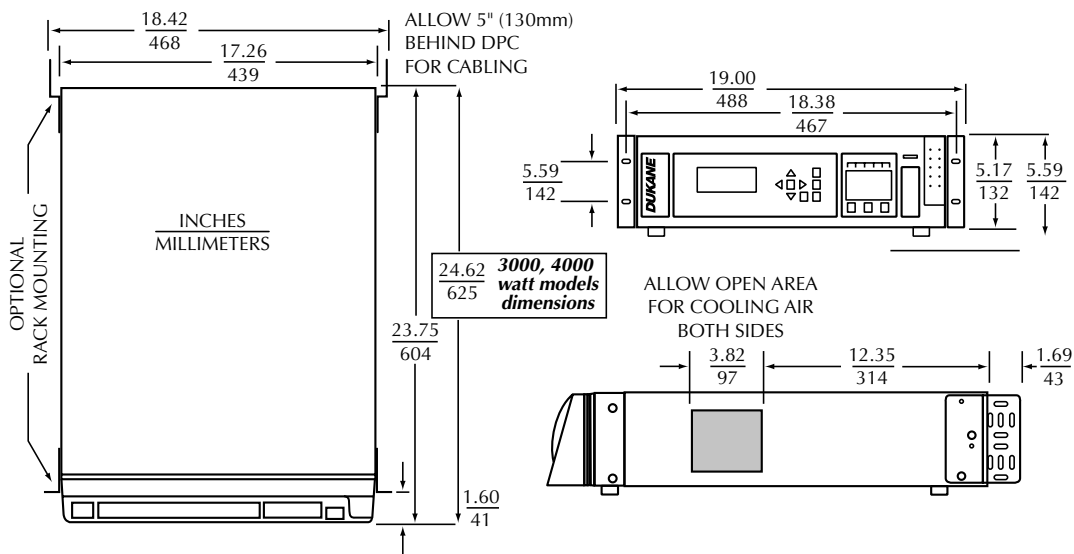
FEATURES

- **Modular component design** maximizes product flexibility and cost effectiveness by allowing the selection of various power levels and process control features
- **Retrofittable** to existing ultrasonic probe/press systems to bring precise control and monitoring features to applications already in production
- **Standard 19" (48cm) rack mountable** unit for easy system integration at minimal cost
- **Universal IEC 320 power cord receptacle** accommodates most worldwide power requirements
- **Auxiliary outputs** such as cycle activation provide easy system integration with automated machinery and PLCs
- **Power display** for checking acoustic stack characteristics
- **System power output** indicates normal or possible overload operating condition during the weld cycle
- **System status panel** displays any of six self-diagnostic messages, including Fault, Input Test, Overload, On Line, Overtemperature, or Off Line

GENERATOR

- **Patented Pulse-Width Modulation** design delivers power more efficiently with substantially less stress on the electrical components for superior performance, reliability, and extended service life
- **Unique Linear Ramp Soft Start** accelerates the transducer and tooling up to operating amplitude eliminating mechanical and electrical starting stress
- **AUTO-TRAC tuning** using phase lock loop technology automatically locks the generator to the resonant frequency of the transducer and tooling even under varying conditions of temperature and loading
- **Dukane exclusive FLOW-THROUGH COOLING** provides on demand thermostatically controlled cooling system that separates electronic components from the cooling air flow chamber
- **Electronic overload protection** prevents component failure, reducing costly downtime
- **Advanced transformer and inductor designs** increase efficiency and reliability of electronic components
- **Line regulation** compensates for line fluctuations assuring consistent amplitude
- **Load regulation** assures constant amplitude at various loads improving assembly consistency
- **Universal Voltage Input** automatically compensates for line voltages between 90-130, or 180-260 volts

DIMENSIONS



MODELS

POWER / FREQUENCY	100 W	150 W	350 W	500 W	700 W	1000 W	1200 W	1500 W	1700 W	2200 W
20 kHz				2050			2120		2170	2200
30 kHz								3150		
40 kHz			4035		4070	4100				
50 kHz		5015								
70 kHz	7010									